



HUMIDITY

ROOM, DUCT, AND OSA 2% HUMIDITY TRANSMITTERS HT2D, HT20, HT2S

MINCO



DESCRIPTION

The **Minco Model HT relative humidity transmitters** are full-range, high-accuracy building automation transmitters. **Model HT** covers 0% to 100% RH over a wide temperature. The standard two-wire, 4-20 mA output provides low cost space, duct, and outdoor monitoring for building control.

OPERATION

The transmitter converts the relative humidity into a 4-20 mA signal. The **HT** transmitters have a microprocessor that performs the temperature compensation calculations from an onboard RTD. The microprocessor maintains both high accuracy and low cost with a wide humidity and operational temperature span.

An added optional temperature output is available in the same enclosure. It comes with a 4-20 mA signal and a large selection of temperature ranges.

The housings for the duct- and OSA-mount configurations are suitable for outdoor use. The aluminum cast box is gasketed to maintain a rain-tight environment for the transmitter.

FEATURES

- 100% replacement for discontinued Hycal transmitters
- Advanced wall-mount design
- Weather-resistant housing for duct and OSA use
- Dual output option (humidity and temperature)



9

HUMIDITY

SPECIFICATIONS

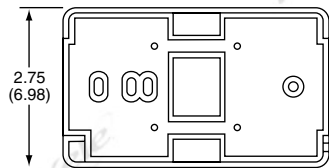
Accuracy		Sensing Technology	
Humidity	±2% (5 to 90% RH)	Humidity	Capacitive monolithic IC
Temperature	±0.5°F (0.27°C)	Temperature	Platinum 1000Ω RTD 385 curve
Supply Voltage	9.4-35 VDC (24V nominal)	Operating Temperature	
Signal Output	4-20 mA	Room	-10° to 150°F (-23° to 65°C)
Output Impedance	(Power supply – 9.4V) / 0.02 = load, i.e., (24V – 9.4V) / 0.02 = 730Ω	Duct/OSA	-10° to 185°F (-23° to 85°C)
Measurement Range		Wiring Terminations	Nonpolar terminals (22-14 AWG wire)
Humidity	0 to 100% RH	Weight	
Temperature		Room	0.19 lb (0.09 kg)
"EN" Range	-20° to 140°F (-29° to 60°C)	Duct	1.20 lb (0.55 kg)
"S" Range	-0° to 100°F (-18° to 38°C)	OSA	1.20 lb (0.55 kg)
"H" Range	40° to 90°F (4° to 32°C)	Warranty	3 years



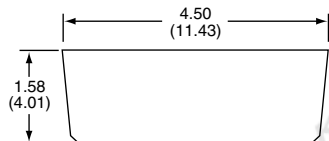
ROOM, DUCT, AND OSA 2% HUMIDITY TRANSMITTERS

HT2D, HT20, HT2S

DIMENSIONS

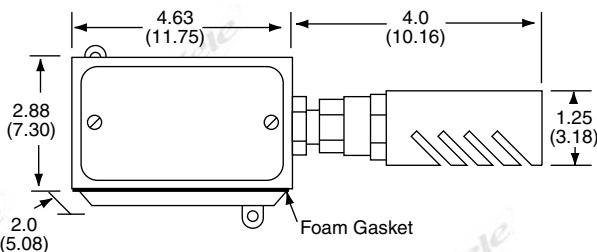


Housing Bottom View

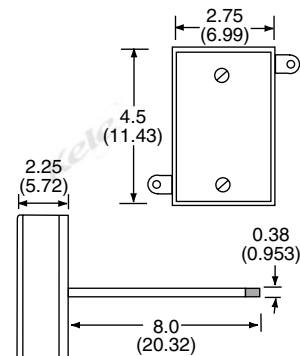


Housing Top View

HT2S

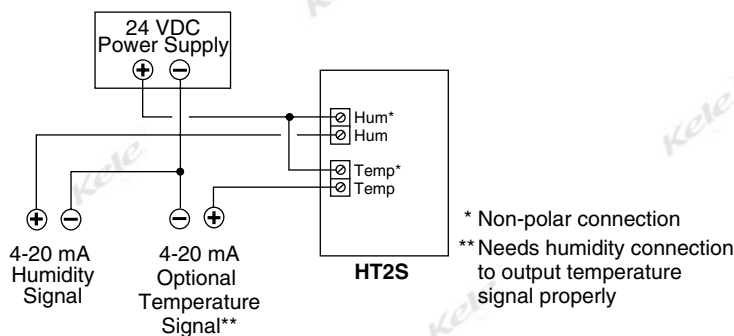


HT20



HT2D

WIRING



9

HUMIDITY

ORDERING INFORMATION

ODE	DES	T	ON
HT2	2% relative humidity transmitter		
	D	Duct mount, weather resistant box, 8" probe	
	O	Outside air mounting, weather resistant box with weather shield	
	S	Space room/office mounting	
		1	4-20 mA DC output
		NT	No temperature transmitter
		EN	Range codes per Minco letter ranges (-20°/140°F) or (-29°/60°C)
		S	Range codes per Minco letter ranges (0°/100°F) or (-18°/38°C)
		H	Range codes per Minco letter ranges (40°/90°F) or (4°/32°C)

HT2 D 1 NT

Example: HT2D1NT 2% RH duct transmitter with 8" probe, no temperature output

RELATED PRODUCTS

DCPA-1.2
DCP-1.5-W

Power supply, 120 VAC IN to 24 VAC/24 VDC OUT
Power supply, 24 VAC IN to 24 VDC OUT